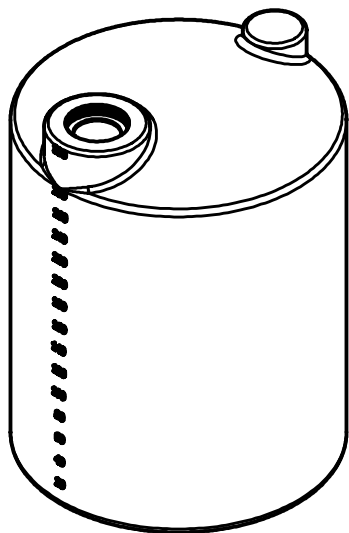
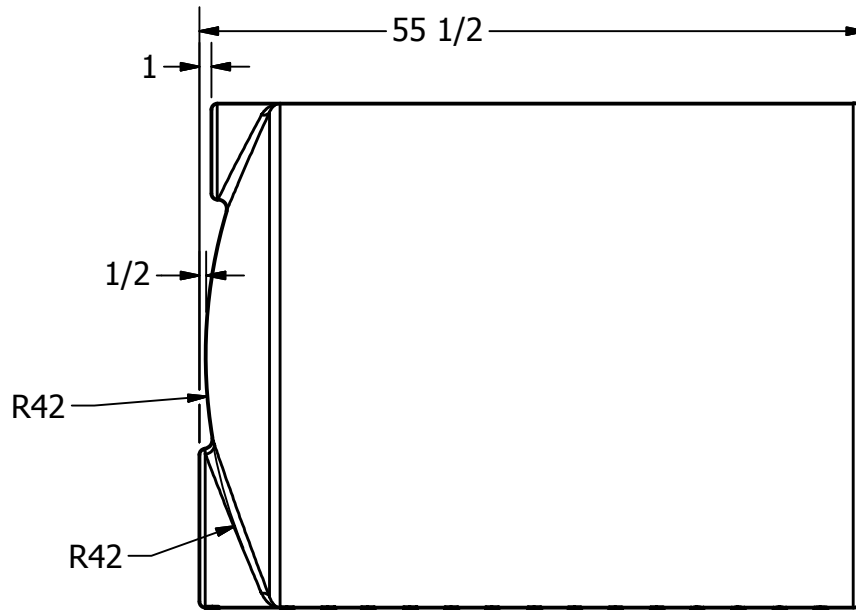



DOUBLE LEAD THREAD
FOR 8-INCH LID



DRAWN Jerry Paulson	9/26/2007	 NORWESCO NORWESCO, INC., ST. BONIFACIUS, MN		
CHECKED		TITLE		
QA		300 GALLON VERTICAL TANK		
MFG				
APPROVED				
		SIZE A	DWG NO	REV A
		SCALE: 1/12		SHEET 1 OF 2